



Swedish-made products for efficient and economical food preparation!

Induction Cooker FSI

Cookers and hobs for restaurants and catering services



3 different models:

- FSI** Fixed height, four legs
- FSIB** Worktop model
- FSIH** Hydraulically adjustable height



Professional induction cookers and hobs for restaurants and catering services with a 6mm high quality glass top (easily changed). High power, extremely quick heating and a lifetime of 30 000h or more.

STANDARD

- 1 zone/Wok with 3,5 kW or 5 kW.
- 2, 4 and 6 zones cookers.
- All stainless steel construction.
- Bottom shelf on all full-height cookers.
- Service-friendly, with PC connection.
- Durable stepless knobs for heat control.

OPTIONS

- FSIH is available with electric height adjustment.
- Extra high power 5 kW/zone optional.
- Grid shelf beneath.
- Front- and side shelves.
- Side covers with hinged front doors.
- Cookers for marine use, 400V/440V.
- Fiddle rail for marine use.
- Cookers tailor made to your requirements.

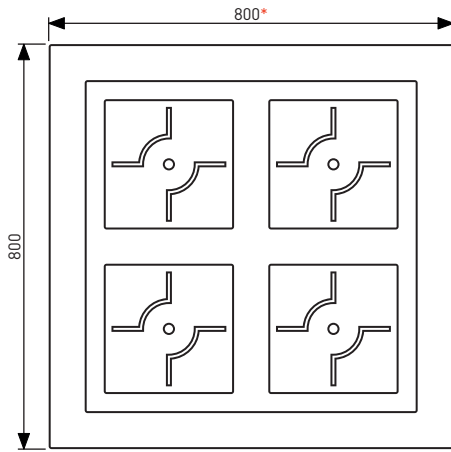
Sturdy • Quick • Reliable • Powerful • Durable



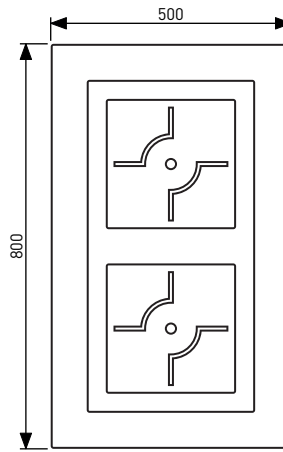
Fribergs Verkstäder AB • Håkantorps, SE-53496 VARA, SWEDEN
Phone: +46 (0)512-300040 • Fax: +46 (0)512-60100 • info@fribergs.se • www.fribergs.se

DIMENSIONS

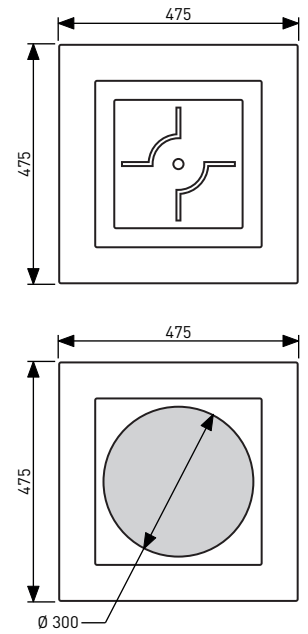
Top view, 4 zones



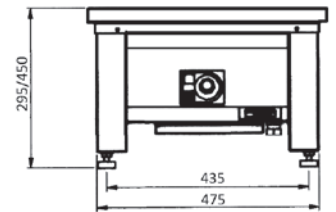
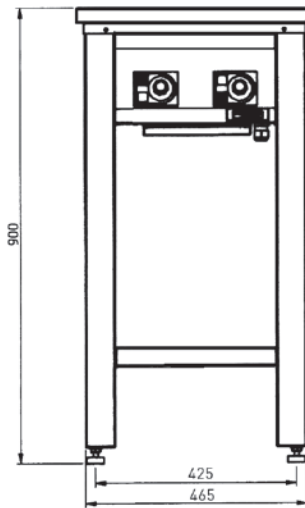
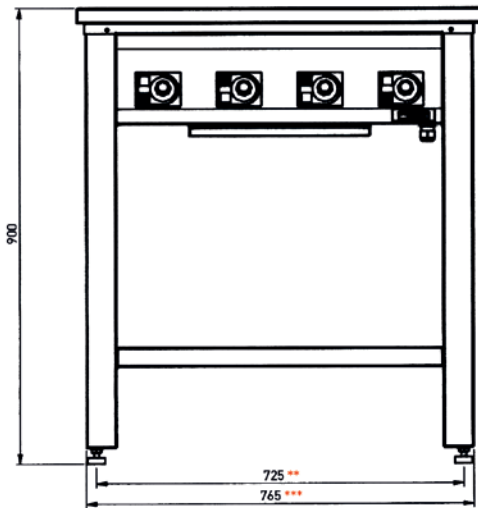
2 zones



1 zone / Wok



Front view



- * 1200mm for the FSI 60 series
- ** 1125mm for the FSI 60 series
- *** 1165mm for the FSI 60 series

TECHNICAL SPECIFICATIONS

Model (xx29/45/90)	# of zones	Power (kW)	Fuse (A)	Weight (kg)	5kW OPTION	
					Power (kW)	Fuse (A)
FSI 10xx	1	3,5	16	20 ⁽¹⁾	5	16
FSI 21xx	2	7	16	50	10	16
FSI 40xx	4	14	25	70	20	32
FSI 60xx	6	21	32 ⁽²⁾	130	30	2x25

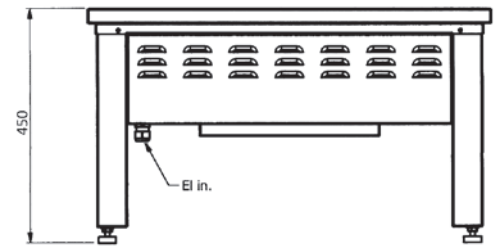
Above specifications designed for 3-conductor 400V, 50Hz.

Weight specified applies to the xx90 models.

⁽¹⁾ Applies to the 1045 model.

⁽²⁾ FSI 60xx available with 1 or 2 connections.

Back view



Our EcoSelect branding signifies the lessened environmental impact and higher efficiency of our products – contact us for more info!