



Swedish-made products for efficient and economical food preparation!

Kettle FKN-3

Simple installation, easy to use and clean



6 different sizes:

40, 70, 100, 150, 200 or 300 litres. Available with or without mixer and easily adaptable to double or triple sets.

A classic kettle in modern guise, Fribergs FKN-3.

With all the vast experience we have, Fribergs has taken on the challenge to further develop the classic Novlab kettles. The result is a new and ultra-modern kettle with the popular and easy-to-use Novlab kettle as a base, with a new modern PLC control system.

The kettles are dimensionally as small and light as before and therefore fits directly into existing installations or can easily be installed in new kitchens. The feet bolt to the floor, so no concrete casting is required.

The kettles' compact design allows the space in the kitchen to be maximized. The kettles are made to be as simple and friendly as possible for the operators of the kettles.

The kettles are designed to meet the needs and functions desired by a modern kitchen, with simple operations via the PLC screen and the classic Novlab layout.

The smart design of the columns makes them easily adaptable to double or triple sets at a later time if the need arises.

The kettles are designed and manufactured in Sweden. This ensures high quality, long life, good spare parts support and low long-term operating costs.

A faithful worker in the kitchen that is always ready for new challenges.

Sturdy • Quick • Reliable • Powerful • Durable



Fribergs Verkstäder AB • Håkantorps, SE-53496 VARA, SWEDEN

Phone: +46 (0)512-300040 • Fax: +46 (0)512-60100 • info@fribergs.se • www.fribergs.se

STANDARD

- Automatic level control of the pressure vessel.
- Water hose, water faucet.
- Filling of water with flow meter.
- PLC control, classic design layout.
- Hinged lid that rotates.
- Sieve plate and dipstick.

OPTIONS

- Automatic cooling of the kettle.
- Mixer with efficient tools.
- Whisk tools, dish washing tool to the mixer.
- HACCP support for analyzing, logging.
- Cradle for canteen vessels



DESIGNED FOR EASE OF USE

The conical shape of the kettle ensures rapid heating and distributes heat evenly throughout the kettle.

Precise and accurate temperature control is achieved to always have optimal conditions for cooking food in a fast and efficient manner.

The smooth simple design without lots of extra parts makes it easy to clean and maintain.



SIMPLE INSTALLATION AND SERVICE

Electricity and water is easily connected to the right side column, and all the control electronics is found in the pull-out cabinet from the front. The kettle rests on feet or wheels, so no concrete casting or mounting frames are required.

Modern components with long life and good quality has been important for Friberg's as the new kettle has been constructed.

THE TOOLS TO GET THE JOB DONE

The mixer is swung in and out of the pot.

This makes it easy to mount the tools.

No hole in the bottom of the kettle ensures that it should be easy to keep clean, and that you avoid the risk of leakage. No drive axle in the middle that is in the way when the mixer is used.

Tools with scrapers that mixes mashed potatoes directly in the kettle, with optional efficient whisks for other mash, gravy etc.

Dishwasher brushes mounts quick and easily on the standard tool by clicking them in place. The kettle then cleans itself in just minutes.



UNIQUE MIXER DESIGN

Smooth efficient mixers are available as option for all models. This top-mounted mixer work effectively in the kettle even during tilting. The mixer rotates with stepless speed, or with alternating direction. With the foot pedal the mixer can be used with the lid open and reduced speed. Its unique design makes it smooth and very easy to clean and maintain since the mixer swings out of the kettle and is out of the way.

Of course there are no holes in the bottom of the pot, because the mixer is driven from the top. Good kettles don't have holes in the bottom!

Automatic dosage of water with flow meter, automatic level regulation and easy to set required temperature, preset cooking time or cooling. Quick and precise temperature regulation.

The control panel is mounted in the right hand column together with all the control electronics. This provides easy installation and excellent serviceability. Large, clear touch screen panel, easy to learn and to work with.

Easy to clean and maintain. The rotatable and hinged lid makes cleaning easier.

High dumping height, which makes it easy to use together with canteen vessels, slopes and trolleys.



TECHNICAL SPECIFICATIONS

Capacity (litres)	Heating (kW)	Mixer (kW)	Fuse (A)
40	15	0,37	25
70	15	1,5	25
100	22,5	1,5	35
150	30	1,5	50
200	30	1,5	50
300	39	1,5	63

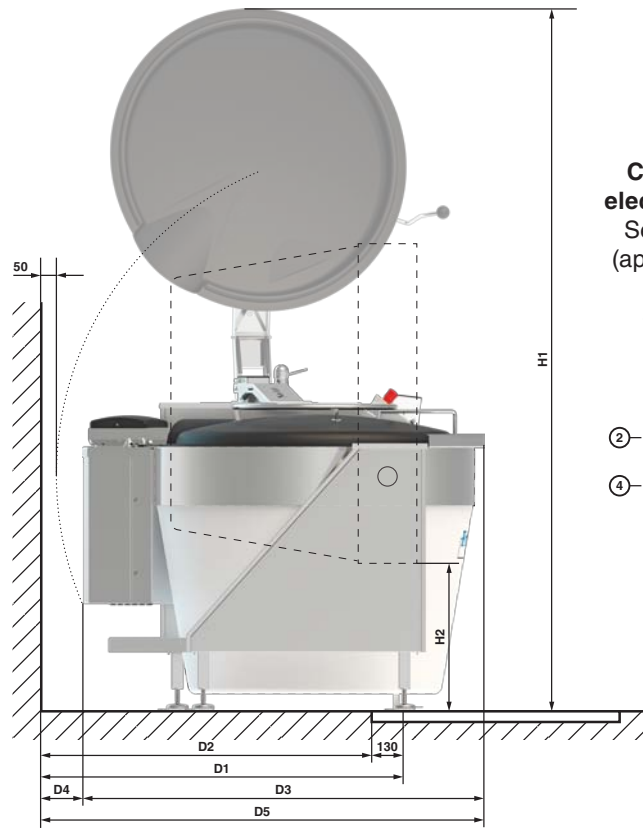
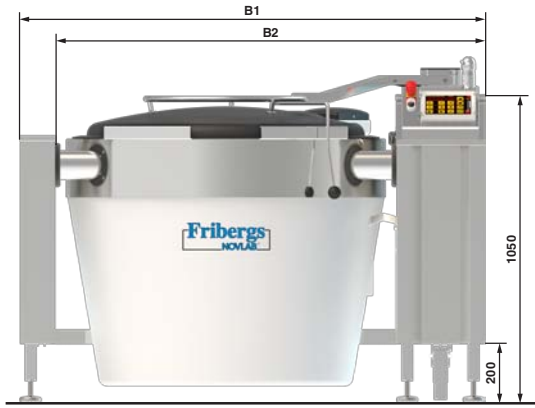
Specification above applies to 3-phase 400V, 50Hz.



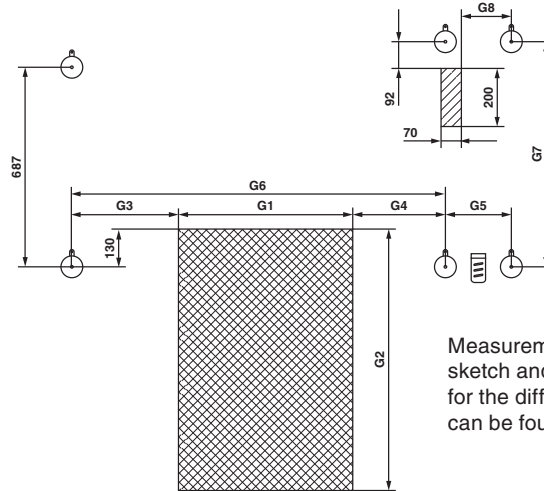
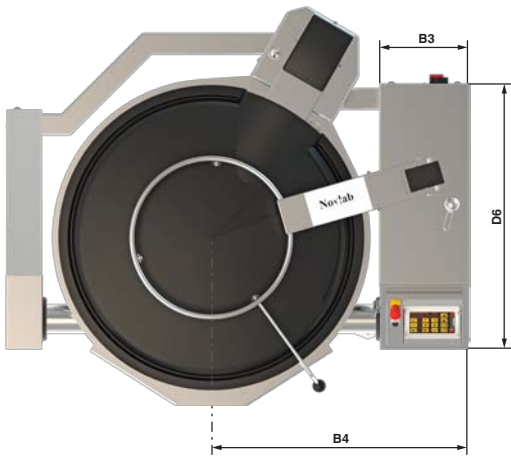
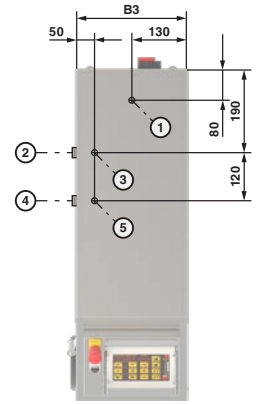
DIMENSIONS

Below you will find the dimensions for a single FKN-3 kettle in table 1.

Contact us at Fribergs for more information, examples, dimensions and/or technical data for dual or triple kettles.



Connections for electrical and water. See table 3 below (applies to all sizes).



Measurements for floor sketch and size of floor drain for the different kettle sizes can be found in table 2.

TABLE 1: DIMENSIONS IN MM

Capacity (litres)	Width				Depth						Height	
	B1	B2	B3	B4	D1	D2	D3	D4	D5	D6	H1	H2
40	1065	939	266	602	895	765	872	96,5	968,5	828	1928	700
70	1126	1000	266	633	1102	972	1037	151	1176	828	1985	700
100	1126	1000	266	633	1103	973	1037	152	1177	828	1985	700
150	1331	1205	306	755,5	1162	1032	1164	145	1309	916	2165	700
200	1431	1305	306	806	1183	1053	1251	143	1390	916	2261	700
300	1592	1466	306	886	1234	1104	1376	138	1511	916	2401	600

TABLE 2: DIMENSIONS IN MM

Capacity	G1	G2	G3	G4	G5	G6	G7	G8
40	500	700	174	125	187	799	687	132
70	500	700	204	156	187	860	687	132
100	500	700	204	156	187	860	687	132
150	600	900	237	188	227	1025	775	172
200	600	900	286,5	238,5	227	1125	775	172
300	600	900	367	319	227	1286	775	172

TABLE 3:

- ① Electrical connection to built-in power switch (800 a.f.)
- ② Outer handle for cold water
- ③ Connection for cold water (300 a.f.)
- ④ Outer handle for warm water
- ⑤ Connection for warm water (300 a.f.)

Water connection 1/2" external thread. Safety breaker exists.