



## Cooker FKT

Cookers and hobs for restaurants and catering services



### 4 different models:

- FKT** Full height, four legs
- FKTB** Worktop model
- FKTH** Hydraulically adjustable height

**Cast iron 30x30cm hotplates** carefully mounted and balanced to form a **completely flat hob surface**. A large vessel can be placed over several hotplates at the same time providing full contact.

### STANDARD

- 1, 2, 4, 6 or 8 hotplates.
- All stainless steel construction.
- Hygienic.
- Fixed 3000W hotplates.
- Removable drip pan.
- Bottom shelf.
- Easy-to-service.

### ACCESSORIES

- FKTH model available with manual or electric height adjustment.
- Grid shelf beneath.
- Front shelf.
- Side shelf.
- Top shelf with or without an agitator.
- Cookers for marine use, 230V/400V/440V/480V.
- Fiddle rail for marine use.
- Cookers tailor made to your requirements.

*Sturdy • Quick • Reliable • Powerful • Durable*



## THE FRIBERG FKT COOKER

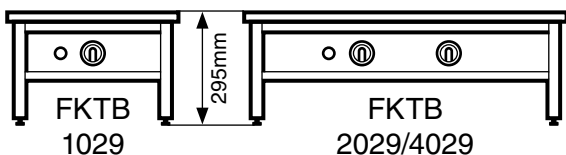
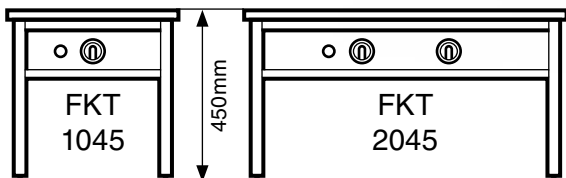
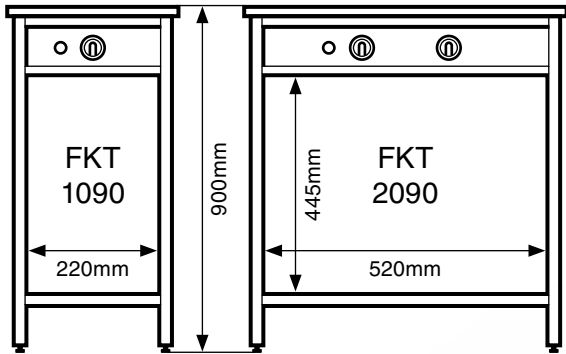
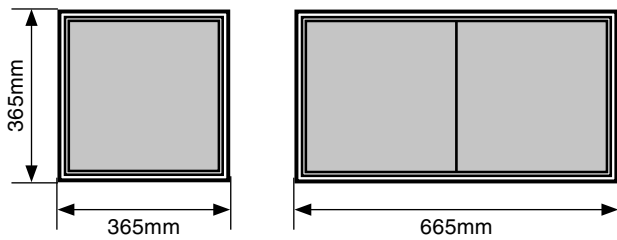
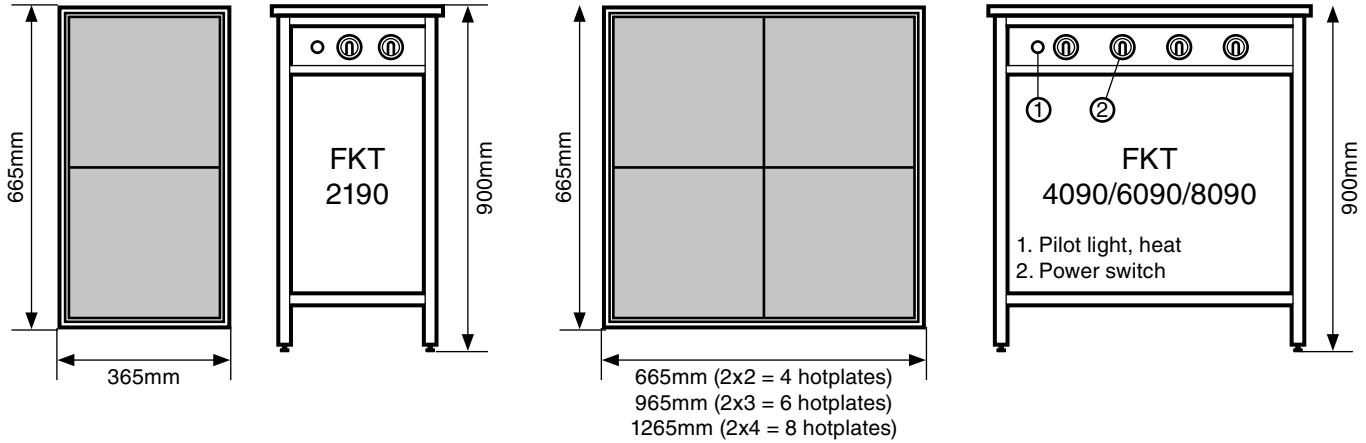
Comes with one, two, six or eight square hotplates. The cookers are renowned within the Scandinavian catering services for their robust design and top quality sturdy hotplates that allow long periods of use.

An easy to use and clean, safe, effective cooker with a high heating effect for rapid warming.

## THE FRIBERG FKT COOKER

Hob tables are very practical and are often used to complement other kitchen equipment or when a simple economic solution is required for cooking large amounts. The square hotplates are heavy duty and can be left on without a pan on the plate. Recommended during heavy use.

## DIMENSIONS



## TECHNICAL SPECIFICATIONS

Model (xx29 / xx90)	# of plates	Power (kW)	Fuse (A)	Weight (kg)
FKT 10xx	1	3	10	35
FKT 20/21xx	2	6	16	65
FKT 40xx	4	12	20	100
FKT 60xx	6	18	32	160
FKT 80xx	8	24	2x20	190

Above specifications designed for 3-conductor 400V, 50Hz. Weight specified applies to the xx90 models.