



Swedish-made products for efficient and economical food preparation!

The Friberg FHP Kettle

A robust tilting kettle for industrial use



PanoCopter® tilting kettle for connecting to external steam power

- Easy to use.
- Rapid warm-up.
- Jacket cooling available as an accessory.
- Tilting using water hydraulics.
- Hygienic, no hidden recesses.
- All stainless steel construction.
- High tilt.
- Stainless split-hinged lid.
- Swivelling tap for hot and cold water.
- Volumes: 1000, 800, 700, 600, 500, 400, 300, 200 och 100 litres.
- Easy-to-service.
- Mounted on a concrete base.
- Supplied with or without an agitator.
- Quick connector for agitator as accessory.

Sturdy • Quick • Reliable • Powerful • Durable



Fribergs Verkstäder AB • Håkantorps, SE-53496 VARA, SWEDEN
 Phone: +46 512-300040 • Fax: +46 512-60100 • info@fribergs.se • www.fribergs.se

Easy handling

Steam feed, condensation drainage and water filling regulated manually with sturdy levers. Tilting manoeuvred by cabled remote control.

Stainless steel cover locked in upright position by mechanical catch.

Rapid warm-up

Energy saving

As well as saving energy and time, the rapid warm-up also provides better quality food with less nutritional loss.

Hygienic

The kettle and permanently mounted mixing tools can be high pressure washed. Removable side plates to the kettle columns facilitates internal and external hosing down.

Easy-to-service

The Friberg FHP is designed to facilitate easy servicing. A simple manoeuvre makes all parts visible for inspection and service.

The FHP kettle is delivered on a conveyor rack repurchased by Friberg.

Cooling – accessory

The kettle can be equipped with jacket-cooling. Cooling water is released manually after cooking. The large cooling surface of the kettle provides efficient cooling, which can be further accelerated by using the agitator.

Agitator - accessory

The Friberg FHP is equipped with a powerful agitator mounted on the arm at the top of the kettle. The mixer has a stepless adjustable rotation of between 5 and 60 rpm. The mixing tools, with plastic scraper and mixing breaker, ensures effective mixing and prevents burning.

The mixer's operating controls are all in a control cabinet. Quick connector with lock for removable mixer available as accessory (Telpher not included).

Connections

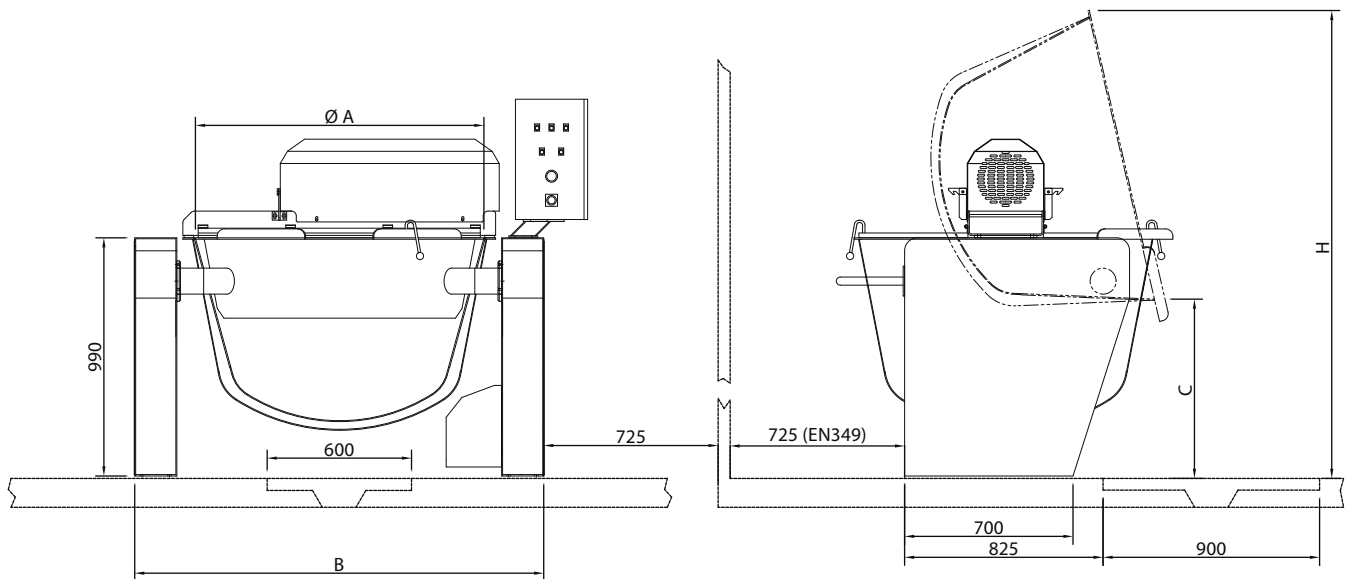
The Friberg FHP connects to an external steam plant or boiler using 1" fittings (25), steam pressure 1.5-3 bar.

Condensation drainage ¾" (20).

Hot and cold water ¾" (20).

For operating pneumatic valves when tilting, compressed air, connection dimension 8mm, pressure 4-5 bar.

Electrical: 3N400V+PE, 25A.



The Friberg FHP

A sustainable investment in your industrial environment

Dimensions				
Volume Litres	Ø A mm	B mm	C mm	H mm
500	1200	1700	730	1900
400	1150	1650	730	1840
300	1010	1510	725	1710
200	880	1380	760	1620
100	700	1200	730	1420

Dimensions				
Volume Litres	Ø A mm	B mm	C mm	H mm
1000	1500	2000	580	2080
800	1375	1875	640	2015
700	1300	1800	680	1980
600	1200	1700	730	1900